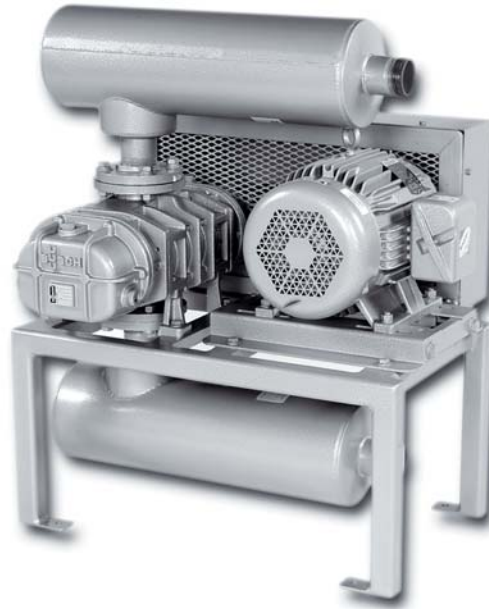


## Panther WA 3032-3300D



Panther WA 3065 D

### Description

The Busch Panther blower is a rotary lobe, positive displacement blower that is designed for either pressure or vacuum applications. Vacuum or pressure is produced by two non-contacting rotors in an oil-free pumping chamber creating a clean, efficient and wear free environment.

Wearing parts, such as bearings and gears, are separated from the

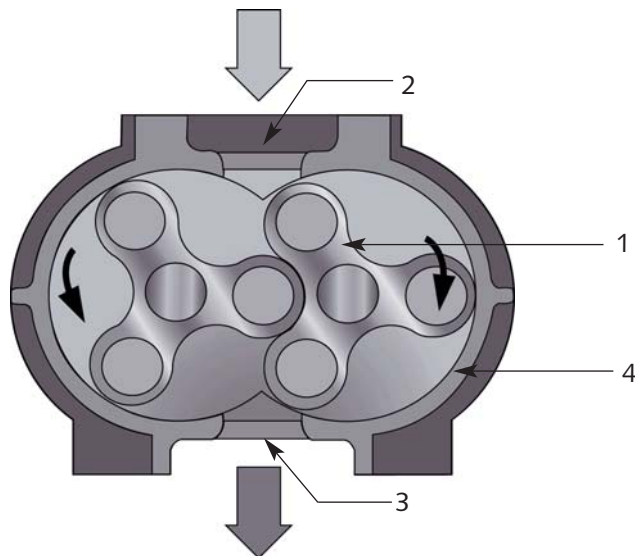
pumping chamber by labyrinth seals yielding a long service life. Heavy duty construction and oil lubricated bearings on both the gear end and drive end of the blower ensure reliable operation.

The Panther blower features a tri-lobe design that increases efficiency and decreases sound levels.

### Features

- Low maintenance
- High efficiency
- Tri-lobe design
- Dry, non-contacting pumping chamber
- Oil lubricated bearings on both ends
- Labyrinth seals
- Heavy duty construction

## Operating Principle



1. Rotor
2. Inlet
3. Outlet
4. Cylinder

## Operating Principle

The tri-lobe Panther by Busch, works according to the proven rotary lobe principle. Operation is both simple and effective. Two rotors with identical profiles rotate in opposite directions within a casing. As they rotate, air is drawn into the space between each rotor and the casing where it is trapped, transported and discharged by the rotation. This occurs with each revolution of each rotor and therefore six times for each revolution of the drive shaft. There is no mechanical contact between the rotors and cylinder. Therefore no oil lubrication is required in the pumping chamber.

## Standard Equipment

- Rotary lobe blower on base frame
- Discharge silencer
- Inlet side silencer
- Motor mounting assembly incl. V-belt drive
- Motor
- Belt guard

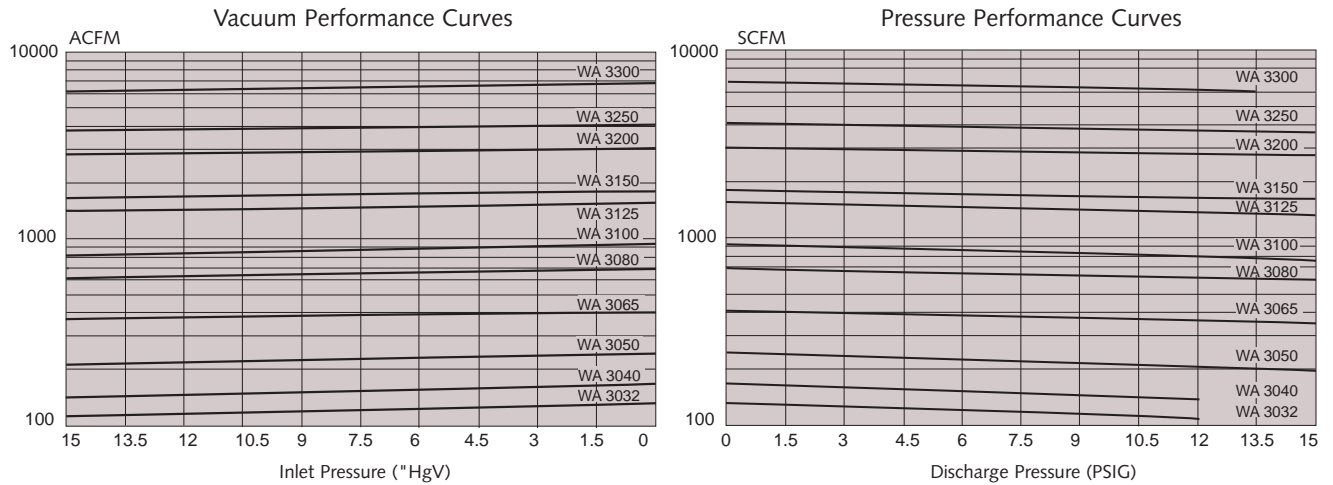
## Application

The blower speed and motor size can be selected specifically to suit the exact needs of the following applications:

- Food processing
- Hold down applications
- Lifting and transport systems
- Milking
- Pneumatic conveying
- Soil remediation
- Textile applications
- Waste treatment aeration
- Wood routers



Technical Data



Maximum curve shown (actual capacity depends on motor speed and power selected).

Technical Data		WA 3032 D	WA 3040 D	WA 3050 D	WA 3065 D	WA 3080 D	WA 3100 D
Panther Model							
Nominal pumping speed	CFM	35-131	53-166	57-243	109-407	170-687	205-931
Maximum vacuum	"HgV	15	15	15	15	15	15
Ultimate pressure	PSIG	12	12	15	15	15	15
Motor power range	HP	1-10	1-15	1-25	1-40	3-60	3-75
Blower speed range	RPM	1500-3750	1500-3750	1150-3550	1150-3550	1150-3550	850-3250
Bare shaft blower weight	Lbs	110	121	165	198	330	440

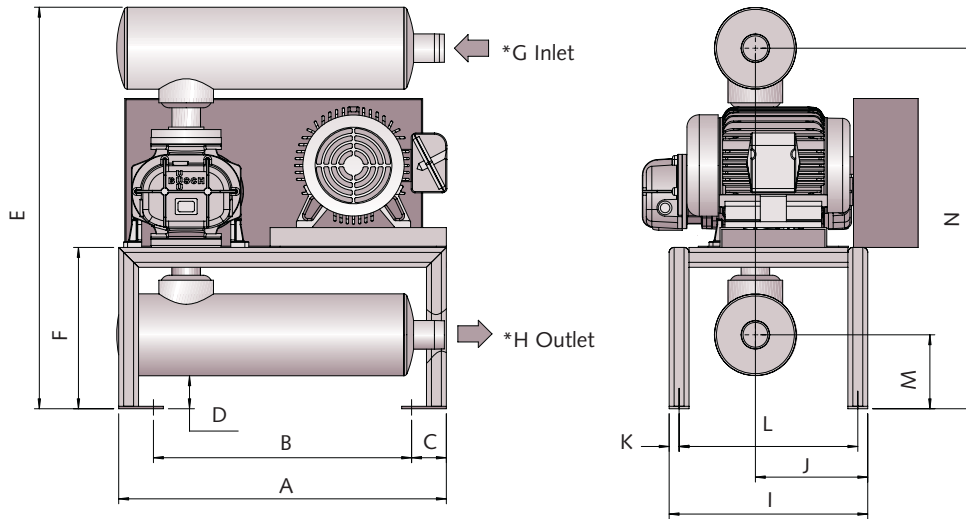
Technical Data		WA 3125 D	WA 3150 D	WA 3200 D	WA 3250 D	WA 3300 D
Panther Model						
Nominal pumping speed	CFM	360-1571	470-1796	604-3030	978-4080	2564-6829
Maximum vacuum	"HgV	15	15	15	15	15
Ultimate pressure	PSIG	15	15	15	15	13.5
Motor power range	HP	5-125	5-150	10-270	15-350	30-450
Blower speed range	RPM	750-2850	750-2550	600-2400	600-2100	600-1500
Bare shaft blower weight	Lbs	858	990	1650	2200	3080

Performance data based on ambient conditions of 14.7 PSIG and 70° F, and have a tolerance of +/- 10%.

# Rotary Lobe, Positive Displacement Blower

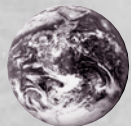


## Dimensions



Dimensions	A	B	C	D	E	F	G	H	I	J	K	L	M	N
WA 3050 D	33	26	3 <sup>1</sup> / <sub>2</sub>	2 <sup>3</sup> / <sub>4</sub>	41	16 <sup>1</sup> / <sub>4</sub>	2 <sup>1</sup> / <sub>2</sub>	2 <sup>1</sup> / <sub>2</sub>	20	10 <sup>1</sup> / <sub>4</sub>	1	18	6 <sup>7</sup> / <sub>8</sub>	36 <sup>7</sup> / <sub>8</sub>
WA 3065 D	33	26	3 <sup>1</sup> / <sub>2</sub>	2 <sup>1</sup> / <sub>8</sub>	41 <sup>3</sup> / <sub>4</sub>	16 <sup>1</sup> / <sub>4</sub>	3	3	20	11 <sup>3</sup> / <sub>8</sub>	1	18	6 <sup>1</sup> / <sub>4</sub>	37 <sup>5</sup> / <sub>8</sub>
WA 3080 D	36	29	3 <sup>1</sup> / <sub>2</sub>	4 <sup>3</sup> / <sub>4</sub>	54 <sup>1</sup> / <sub>2</sub>	22 <sup>1</sup> / <sub>4</sub>	4	4	22	12 <sup>3</sup> / <sub>4</sub>	1	20	9 <sup>7</sup> / <sub>8</sub>	49 <sup>1</sup> / <sub>8</sub>
WA 3100 D	42	33	4 <sup>1</sup> / <sub>2</sub>	5 <sup>7</sup> / <sub>8</sub>	55 <sup>3</sup> / <sub>8</sub>	23 <sup>3</sup> / <sub>8</sub>	4	4	28	15 <sup>3</sup> / <sub>8</sub>	1 <sup>1</sup> / <sub>2</sub>	25	11	50 <sup>1</sup> / <sub>4</sub>
WA 3125 D	48	39	4 <sup>1</sup> / <sub>2</sub>	5 <sup>3</sup> / <sub>8</sub>	71	29 <sup>3</sup> / <sub>8</sub>	6	6	32	16 <sup>1</sup> / <sub>2</sub>	1 <sup>1</sup> / <sub>2</sub>	29	12 <sup>1</sup> / <sub>2</sub>	63 <sup>7</sup> / <sub>8</sub>

All dimensions in inches unless otherwise noted.  
 Dimensions of specific units depend on motor speed and application type selected.  
 Dimensions of additional sizes are available by request.  
 \*3" & smaller is MNPT, 4" & larger is flanged.



**Busch - all over the world in industry**

**ISO 9001 Registered Company**

**Busch, Inc. 516 Viking Drive Virginia Beach, VA 23452**  
**Phone (757) 463-7800 FAX (757) 463-7407**

**www.buschpump.com**  
**1-800-USA-PUMP**

Amsterdam Barcelona Birmingham Basel Brussels Dublin Göteborg Helsinki Istanbul Copenhagen Kuala Lumpur Milan Maulburg Melbourne Montreal Moscow  
 New York New Plymouth Oslo Paris San Jose São Paulo Seoul Singapore Taipei Tokyo Vienna

12-B1/22-B1